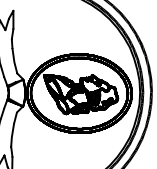
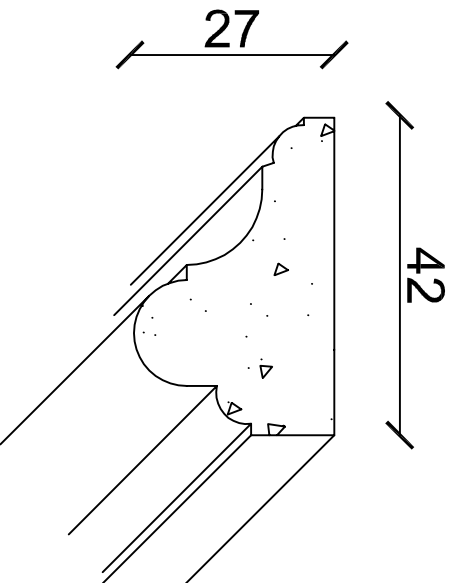


**A5**

**PM 20**



**ARISTOCAST ORIGINALS**

LIMITED

2 WARDESEND ROAD, SHEFFIELD, S6 1RQ

TEL: (0114) 232 7018

FAX: (0114) 234 4885