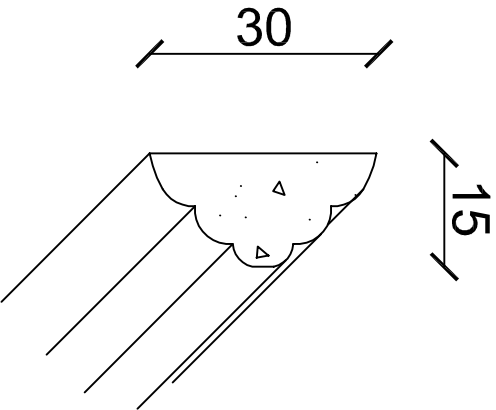
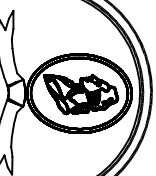


A5



TM 11 - AEGEAN



ARISTOCAST ORIGINALS

LIMITED
2 WARDESEND ROAD, SHEFFIELD, S6 1RQ
TEL: (0114) 232 7018 FAX: (0114) 234 4885