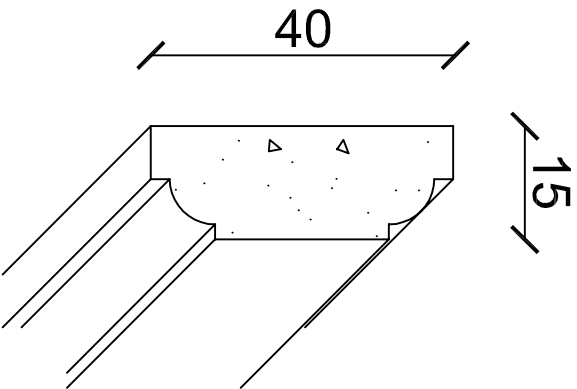
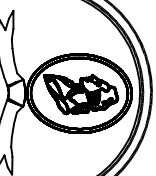


A5



TM 16 - DECO



ARISTOCAST ORIGINALS

LIMITED

2 WARROSEND ROAD, SHEFFIELD, S6 1RQ

TEL: (0114) 232 7018

FAX: (0114) 234 4885