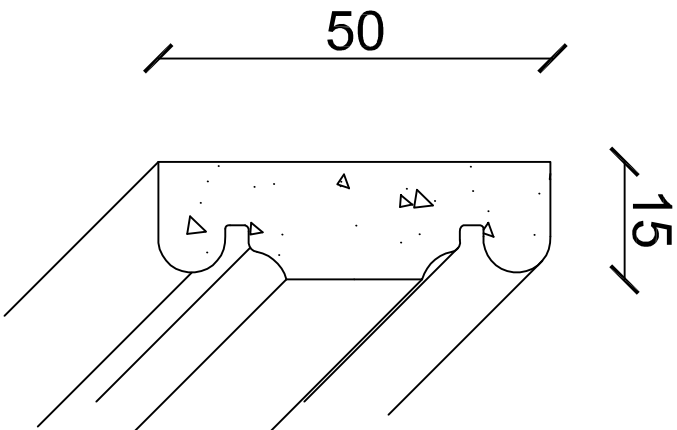


A5



TM 8 - ERMIN



ARISTOCAST ORIGINALS

LIMITED

2 WARDESEND ROAD, SHEFFIELD, S6 1RQ

TEL: (0114) 232 7018

FAX: (0114) 234 4885